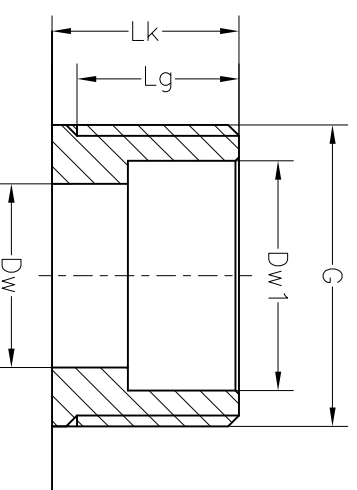
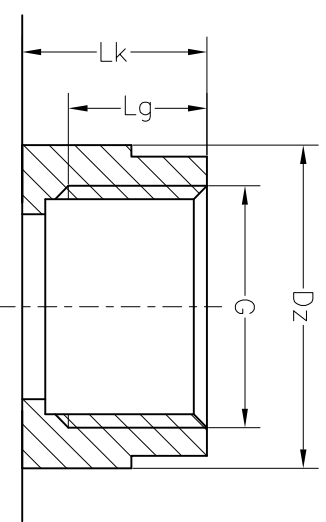


DUAL
(external thread/to solder)
(gwint zewnętrzny/do wlutowania)



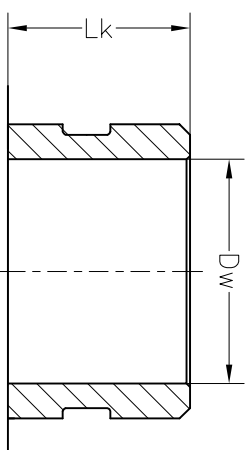
Connection type	G	mm		Wrench
		Dz	Lg	
GZ_G3/4_ID19.3_B	G 3/4"	Ø18.3	Ø19.3	20
GZ_G1_ID22.4_B	G 1"	Ø21.4	Ø22.4	22
GZ_G5/4_ID28.8_C	G 1 1/4"	Ø27.8	Ø28.8	20

INTERNAL THREAD
GWINT WEWNĘTRZNY



Connection type	G	mm		Wrench
		Dz	Lg	
GW_3/4_B	G 3/4"	Ø40	22	28
GW_1_B	G 1"	Ø45	20	28
GW_5/4_C	G 5/4"	Ø60	22	28

VICTUALIC



Connection type	Tube size	Lk	Dw
	Inch	mm	mm
KV_26.9_B	3/4"	30	Ø21.1
KV_33.7_C	1"	30	Ø26.9
KV_42.4_C	1 1/4"	30	Ø27
KV_48.3_C	1 1/2"	30	Ø27

STANDARD CONNECTIONS
STANDARDOWE PRZYŁĄCZA

CONNECTION TYPE Typ KROCOA	NOZZLE KROCOEC							
	K1	K2	K3	K4	D1	D2	D3	D4
GZ_G3/4_ID19.3_B								
GZ_G1_ID22.4_B								
GZ_G5/4_ID28.8_C								
GW_3/4_B								
GW_1_B								
GW_5/4_C								
KV_26.9_B								
KV_33.7_C								
KV_42.4_C								
KV_48.3_C								

CODE

EXTENSION

Quotation no. M15003-LB
Nr oferty:

Date: 22.07.2016
Data:

Revision no.: 3
Nr rewizji:

CUSTOMER CONFIRMATION
Zatwierdzenie przez Klienta

ITEM
Nazwa przedmiotu
Brazed Plate
Heat Exchanger LB

Customer sign
Podpis Klienta

SCALE
Podziałka



HEAT EXCHANGER WYMIENNIK CIEPŁA	B		C
	[mm]		
LB31	232	286	
LB35	250	304	
LB47	360	417	
LB60	480	538	